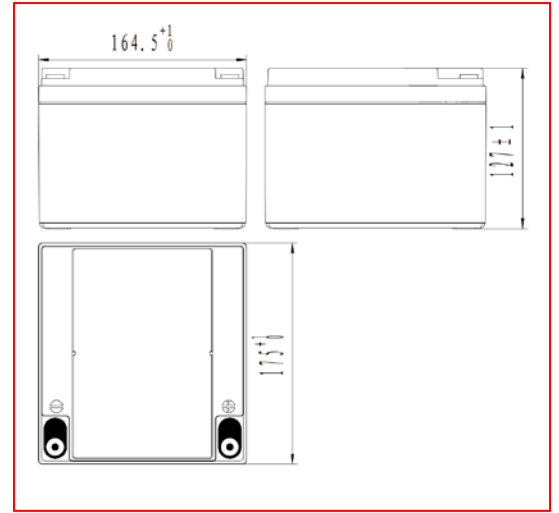


SP12-26

- -
 -
 -
 -
- UPS/EPS
 -
 - /
 -
 -



	12V	
	26Ah C ₂₀	● GB/T 19639.1-2014
	8.0±0.3kg	● IEC 61056-1/2 2012
	8.5±10%mm 25	● JIS C8702-1/2 2009
	HCKI 3551 BATTERY H TESTER	● ISO9001 ISO14001 GBAS18001
	670A	
	3% 25	
	-15 ~45	

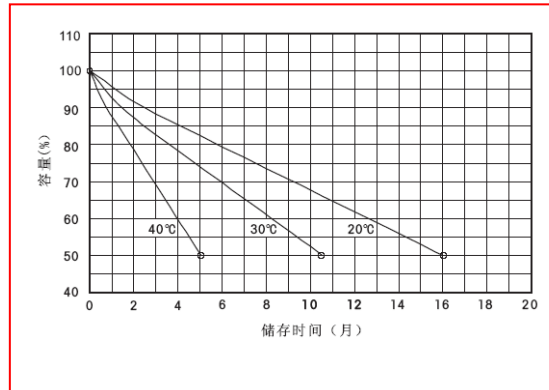
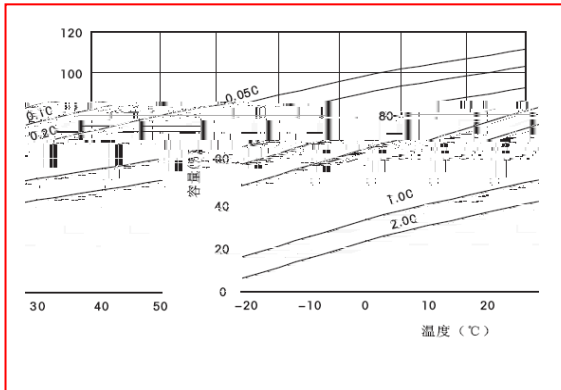
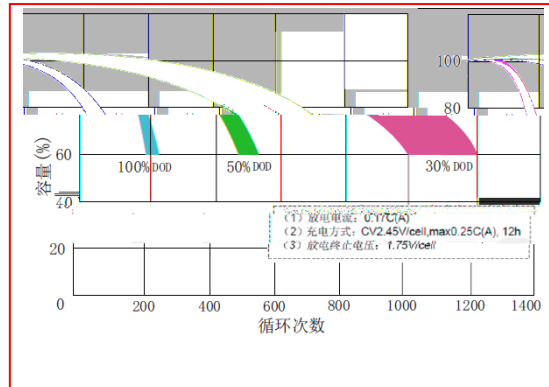
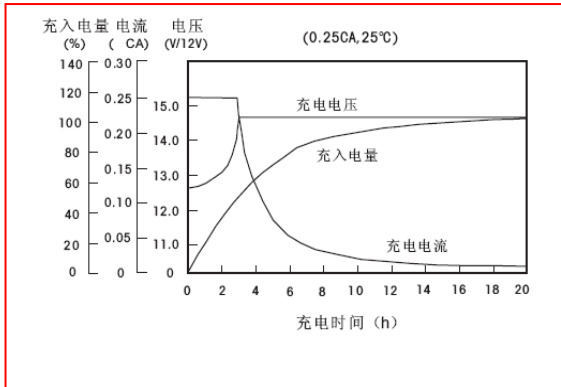


25 A													
(V)	5	10	15	20	30	45	60	90	120	180	300	600	1200
1.60	98.90	63.26	50.31	41.07	29.20	20.62	16.72	11.90	9.620	7.140	4.779	2.456	1.317
1.65	94.94	61.32	49.07	40.48	28.96	20.45	16.61	11.83	9.553	7.102	4.757	2.447	1.312
1.70	88.03	58.36	47.61	39.47	28.35	20.09	16.37	11.68	9.451	7.032	4.717	2.427	1.303
1.75	84.24	56.94	46.80	39.00	28.08	19.93	16.26	11.61	9.404	7.003	4.701	2.420	1.300
1.80	75.98	53.30	44.65	37.71	27.35	19.49	15.96	11.42	9.307	6.947	4.670	2.405	1.294

25 Wcell

(V)	5	10	15	20	30	45	60	90	120	180	300	600	1200
1.60	180.7	118.6	96.04	79.25	56.75	40.32	32.86	23.48	19.05	14.18	9.520	4.909	2.636
1.65	174.1	115.4	93.92	78.37	56.43	40.11	32.74	23.41	18.96	14.15	9.498	4.902	2.634
1.70	162.7	110.7	91.68	76.81	55.54	39.58	32.40	23.20	18.84	14.06	9.458	4.880	2.627
1.75	156.3	108.4	90.38	76.08	55.12	39.35	32.23	23.12	18.78	14.03	9.445	4.877	2.626
1.80	142.0	101.9	86.52	73.76	53.84	38.60	31.73	22.80	18.64	13.96	9.404	4.858	2.619

X 6min(+15% -15%),6min≤X 10min(+12% -12%),10min≤X 60min(+8% -8%),X≥60min(+5% -5%)



	()	V/		(A)
	25	2.45	-4nV/ /	7.8
	25	2.27	-3nV/ /	

